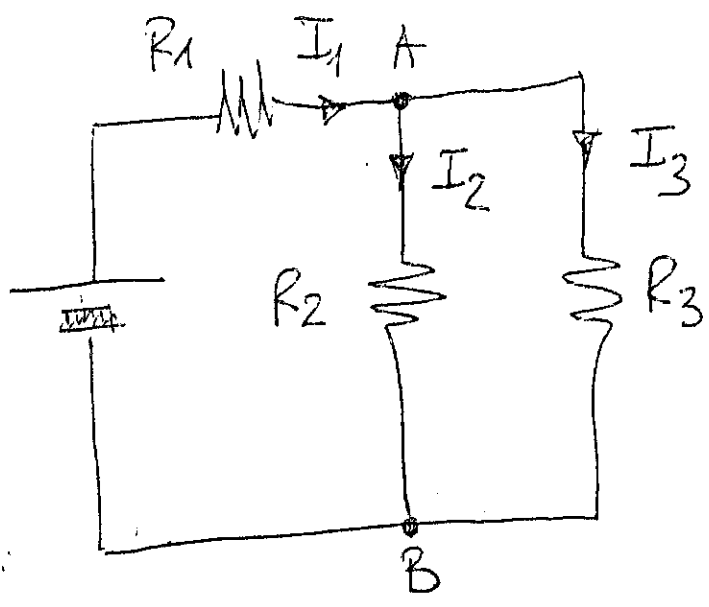


DATO IL SEGUENTE CIRCUITO



DATI

$R_1 = 5 \text{ k}\Omega$
 $R_2 = 10 \text{ k}\Omega$
 $R_3 = 10 \text{ k}\Omega$
 $E_1 = 10 \text{ V}$

DETERMINARE:

la grandezza I_2

I usually like driving on the highway more than in the city. During the morning rush hour, though, it's not very enjoyable. The heavy traffic is a little bit annoying. So I always listen to my favorite classical music CD's in the car - Chopin, Mozart, and Bach. That cheers me up a lot.

6

6